

Imagined

Develop an affordable filling platform that offers near infinite flexibility and versatility to accommodate the processing of the widest range of product types and weights possible.

Engineered Solution

Developed a standalone, modular filling platform with interchangeable scales and valves enabling multi fill-modes, with expandable versatility and integrateable with lid placers, lid closers and palletizers.



► Manual Mode

► Semi-Automatic Mode

► Fully Automatic Mode (optional)

Equipped with a lifting scale to raise product off of an integrated tabletop chain conveyor.

► Interchangeable Scales

Allows for switching out of scales to accommodate the widest range of product weights possible.

► Quick and Tool-less Valve Change

Accommodates various size and types of fill valves yielding a system with the versatility to fill quarts, 1-gallons, 5-gallon pails, and even 55-gallon drums.

► Auto Calibrating Scales

Scales incorporate a patented technology that allows for all system load cells to be calibrated at the touch of a button on the HMI.

► Self Correcting Target Setpoint Algorithm

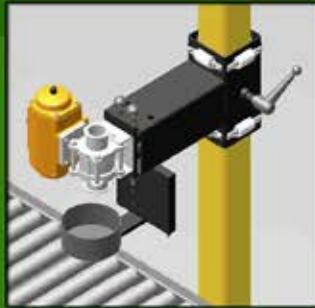
Advanced proprietary algorithm that adjust the target setpoint to accommodate process flow fluctuations and can yield consistent and accurate filling throughout the batch cycle.

► PLC Controls

Fully controlled by a programmable logic controller with an onboard scale controller and an HMI with recipe functionality, allowing for customization to each customer's process requirements.

Models available for single head or multi-head operation and can be integrated with lid placers, lid closers and palletizers.

- **System Types:**
 - Subsurface Fill System
 - Top Fill System
 - Bottom-Up Fill System



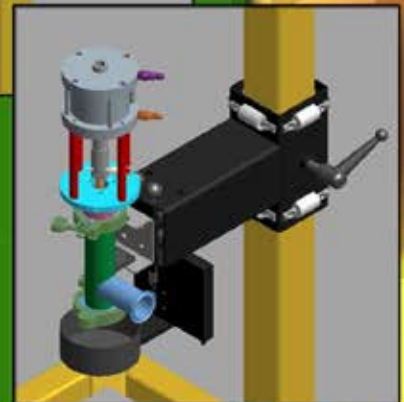
- **Valve Types**
 - Lance Valve
 - Available Sizes: 3/4", 1", 1 1/2", 2"

- Ball Valve w/ or w/o Capillary Dripless Nozzle
 - Available Sizes: 1/2", 1", 1 1/2", 2"

- Plug Valve
 - Available Sizes: 1", 1 1/2", 2"

- Cone Valve
 - Available Sizes: 1", 1 1/2", 2"

- **Available Options:**
 - 12" x 12" Bench Scale
 - Capacity: 33, 66 lbs
 - 24" x 24" Bench Scale
 - Capacity: 130, 330 lbs
 - 3' x 3' Floor Scale
 - Capacity: 1,000, 2,500 lbs
 - 24" x 24" Flanking Gravity Conveyor
 - Container Alignment Jig
 - Pump VFD
 - Retractable Casters with Built In Leveling Pads



When having difficulties in your assembly or manufacturing process, contact Kinesys Automation for more information about a field proven solution.



Kinesys Automation, Inc.

5 Fir Court, Unit 3

Oakland, New Jersey 07436

Phone: (201) 337-5000 Fax: (201) 337-5200

sales@KinesysAutomation.com

www.KinesysAutomation.com