



# Lift-to-Discharge Vessel Press



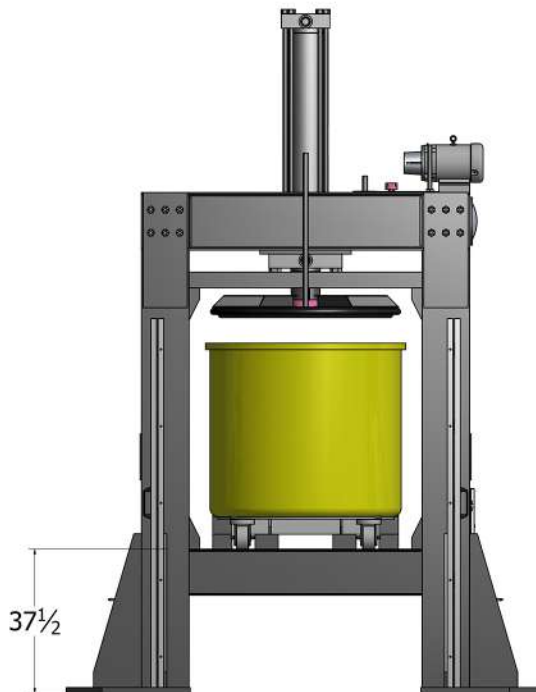
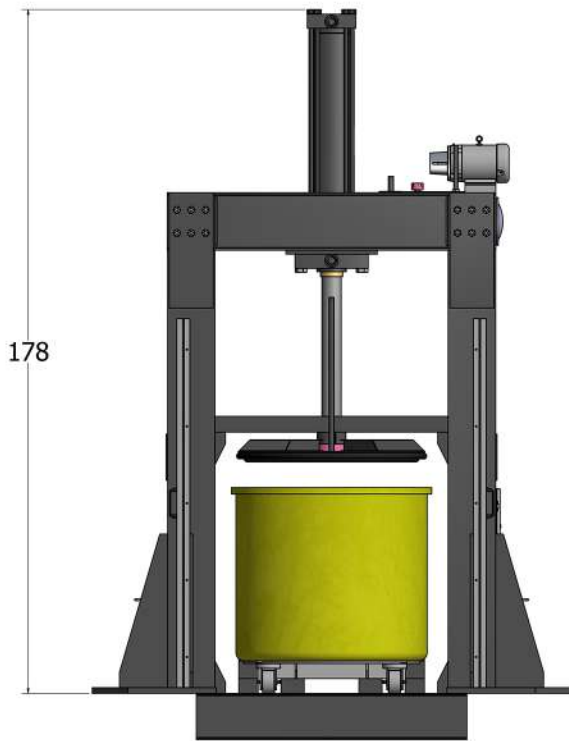
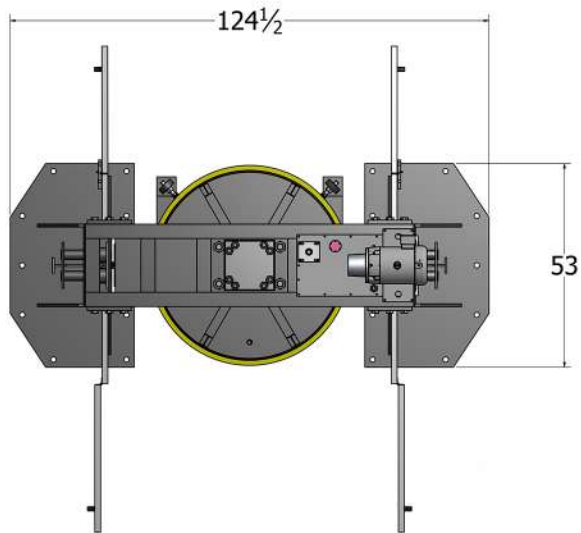
**Kinesys Automation introduces the most compact vessel press in the industry!**

In keeping with its core values to develop novel approaches to old problems, Kinesys Automation has introduced the most compact hydraulic vessel press in the industry. With an integrated oil tank and control system, this system is standalone and offers the freedom to position this unit without the clutter of tanks, pumps, hoses and plumbing lines obstructing access to its perimeter.



Vessels are rolled into the press at floor height and guided into position with reinforced wheel guides. The hydraulically driven elevator platform then raises the vessel to a height that makes it convenient for transfer. Once at the discharge height, support pins with interlocking safety switches lock the elevator platform into position and the overhead plate is lowered into the vessel to initiate discharge directly to a filler.

- Compact footprint.
- Optionally provided with CAPTIVE or NON-CAPTIVE o-ring seal.
- Includes interlocked safety access doors.
- Optionally available for explosion proof applications.
- Available as a PLATFORM style press.



**When having difficulties in your assembly or manufacturing process, contact Kinesys Automation for more information about a field proven solution.**



**Kinesys Automation, Inc.**

5 Fir Court, Unit 3

Oakland, New Jersey 07436

Phone: (201) 337-5000 Fax: (201) 337-5200

[sales@KinesysAutomation.com](mailto:sales@KinesysAutomation.com)

[www.KinesysAutomation.com](http://www.KinesysAutomation.com)